

Style RX Ring Joint Gasket

Product Profile

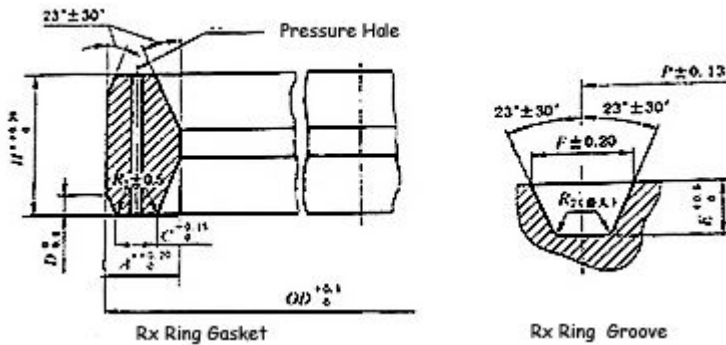
RX Ring Joint Gasket refers to the metal gasket of RX-shaped section by processing metal materials. It is of pressure energized seal in radial direction, and the pressure is up to 700bar. When the gasket is used, the outside seal face is contacted with the flange firstly, and the high system pressure will produce the high base stress. RX Ring Joint Gasket is developed and improved in the basis of “R” series metal ring gasket and is one special kind of octagonal metal ring gaskets. It has good sealing as the contact between gasket and the ring joint faces, especially the outside face, and is pressed tightly to keep good sealing performance.

RX Ring Joint Gasket is installed inside the ring joint groove of flange face. When the connecting bolt is fastened, it is compressed in axis direction and is pressed close to the upper and lower ring joint grooves, which result in the plastic deformation to create the seal. After pressure is raised, the ring gasket expands in radial direction under the force of media pressure. The gasket sticks more tightly to the bevel face of ring joint groove to form self-tightening. However, the rise of media pressure will deform the flange and connecting bolt, it will cause the relative separation between the sealing surfaces, and the sealing ratio of gaskets is reduced accordingly. RX Ring Joint Gasket is one kind of pressure energized ring gaskets.

Some sizes of RX Ring Joint Gaskets should have the pressure hole through the ring cross section.



Cutaway View of RX Ring Joint Gasket and Flange as follows



*A plus tolerance of 0.008 inches for width 'A' and height 'H' is permitted, provided the variation in width or height does not exceed 0.1 mm throughout its entire circumference.

Features

- 1、RX Ring Joint Gasket is pressure energized, that is to say the higher the pressure is, the better the seal performance is;
- 2、RX Ring Joint Gasket is used in 6B flanges, it has the line seal with good seal performance, but it should have high accuracy;
- 3、RX Ring Joint Gasket is of self-sealing. It can increase the self-seal effect and prevent the gasket failure due to the well pressure change and the shock in pressure test;
- 4、RX Ring Joint Gasket can be used interchangeably with "R" metal ring gasket;
- 5、RX Ring Joint Gasket can be reused in the field in the case of the appearance with no damage;
- 6、The hardness of RX Ring Joint Gasket must be 15~20HB lower than the mating flange face hardness;
- 7、The seal faces of RX Ring Joint Gasket, including the bevel faces, shouldn't have the scratches, knock marks, cracks and defects. Its surface roughness shouldn't be larger than Ra1.6.



Cixi Jayu Sealing Materials Co.,Ltd.

Add:No.11,Huishengfang,Zonghan Sub-district,Cixi City,Zhejiang,China Zip:315301

Tel:+86-574-63516396,13736111554 Fax: +86-574-63516386

Web: www.ring-type-joint.com E-mail: shen@ring-type-joint.com

Performance Parameters

gasket factor	$m=5.50-6.50$
gasket using pressure	$\leq 70\text{MPa}$
gasket using temperature	$-196^{\circ}\text{C}-1000^{\circ}\text{C}$
minimum pre-tightening pressure	$y=126.6-182.8\text{MPa}$

Materials

Soft Iron、Low C/S、ss410、ss304、ss316、ss347、F5、F11、Copper、Aluminum、Inconel 600、Inconel 625、Incoloy 800、Incoloy 825、Monel 400、Titanium、Nikel 200、Hastelloy C276、Zirconium702

Application

The gaskets are primarily used in the oil, gas, petrochemical and offshore industries. They are also commonly used on valves, pipe-work assemblies and vessel joints and are used to seal flanged connections subject to high pressures and temperatures.

Technical Standards

It can provide any standard and non-standard sizes, including the standards of API 6A, API 17D, ASME B16.20, DIN 2693-67, JPI-7S-23-72 and other standards.