

## BX ring type joint gasket

### Product Profile

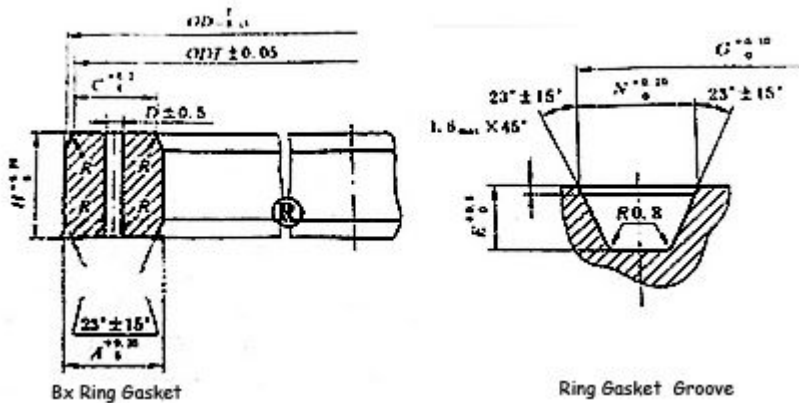
BX ring type joint gasket refers to the metal gasket of BX-shaped section by processing metal materials. It is of pressure energized seal in radial direction, one special kind of octagonal metal ring gaskets. It has good sealing as the contact between gasket and the ring joint faces, especially the outside face, and is pressed tightly to keep good sealing performance.

BX ring type joint gasket is installed inside the ring joint groove of flange face. When the connecting bolt is fastened, it is compressed in axis direction and is pressed close to the upper and lower ring joint grooves, which result in the plastic deformation to create the seal. After pressure is raised, the ring gasket expands in radial direction under the force of media pressure. The gasket sticks more tightly to the bevel face of ring joint groove to form self-tightening. However, the rise of media pressure will deform the flange and connecting bolt, it will cause the relative separation between the sealing surfaces, and the sealing ratio of gaskets is reduced accordingly. BX ring type joint gasket is one kind of pressure energized ring gaskets.

Some sizes of BX ring type joint gaskets should have the pressure hole through the ring cross section.



### Cutaway View of “BX” Steel Ring and Flange as follows



One pressure passage hole required per ring on center line \*A plus tolerance of 0.2 mm for width 'A' and height 'H' is permitted, provided the variation in width or height does not exceed 0.1 mm throughout its entire circumference

### Features

- 1、 BX ring type joint gasket can only be used in 6 BX flanges ;
- 2、 BX ring type joint gasket is pressure energized, that is to say the higher the pressure is, the better the seal performance is;
- 3、 BX ring type joint gasket is used in 6 BX flanges, it has the line seal with good seal performance, but it should have high accuracy;
- 4、 BX ring type joint gasket can not be used interchangeably with other styles of gaskets;
- 5、 BX ring type joint gasket can only be used for one time;
- 6、 The hardness of BX ring type joint gasket must be 15~20HB lower than the mating flange face hardness;
- 7、 The seal faces of “BX” metal ring gasket, including the circle and chamfer, shouldn't have the scratches, knock marks, cracks and defects. Its surface roughness shouldn't be larger than Ra0.8.



# Cixi Jayu Sealing Materials Co.,Ltd.

Add:No.11,Huishengfang,Zonghan Sub-district,Cixi City,Zhejiang,China Zip:315301

Tel:+86-574-63516396,13736111554 Fax: +86-574-63516386

Web: [www.ring-type-joint.com](http://www.ring-type-joint.com) E-mail: [shen@ring-type-joint.com](mailto:shen@ring-type-joint.com)

## Performance Parameters

gasket factor	$m=5.50-6.50$
gasket using pressure	$\leq 150\text{MPa}$
gasket using temperature	$-196^{\circ}\text{C}-1000^{\circ}\text{C}$
minimum pre-tightening pressure	$y=126.6-182.8\text{MPa}$

## Materials

Soft Iron、 Low C/S、 ss410、 ss304、 ss316、 ss347、 F5、 F11、 Copper、 Aluminum、 Inconel 600、 Inconel 625、 Incoloy 800、 Incoloy 825、 Monel 400、 Titanium、 Nikel 200、 Hastelloy C276、 Zirconium702。

## Application

The gaskets are primarily used in the oil, gas, petrochemical and offshore industries. They are also commonly used on valves, pipe-work assemblies and vessel joints and are used to seal flanged connections subject to high pressures and temperatures.

## Technical Standards

It can provide any standard and non-standard sizes, including the standards of API 6A, API 17D, ASME B16.20, DIN 2693-67, JPI-7S-23-72 and other standards.